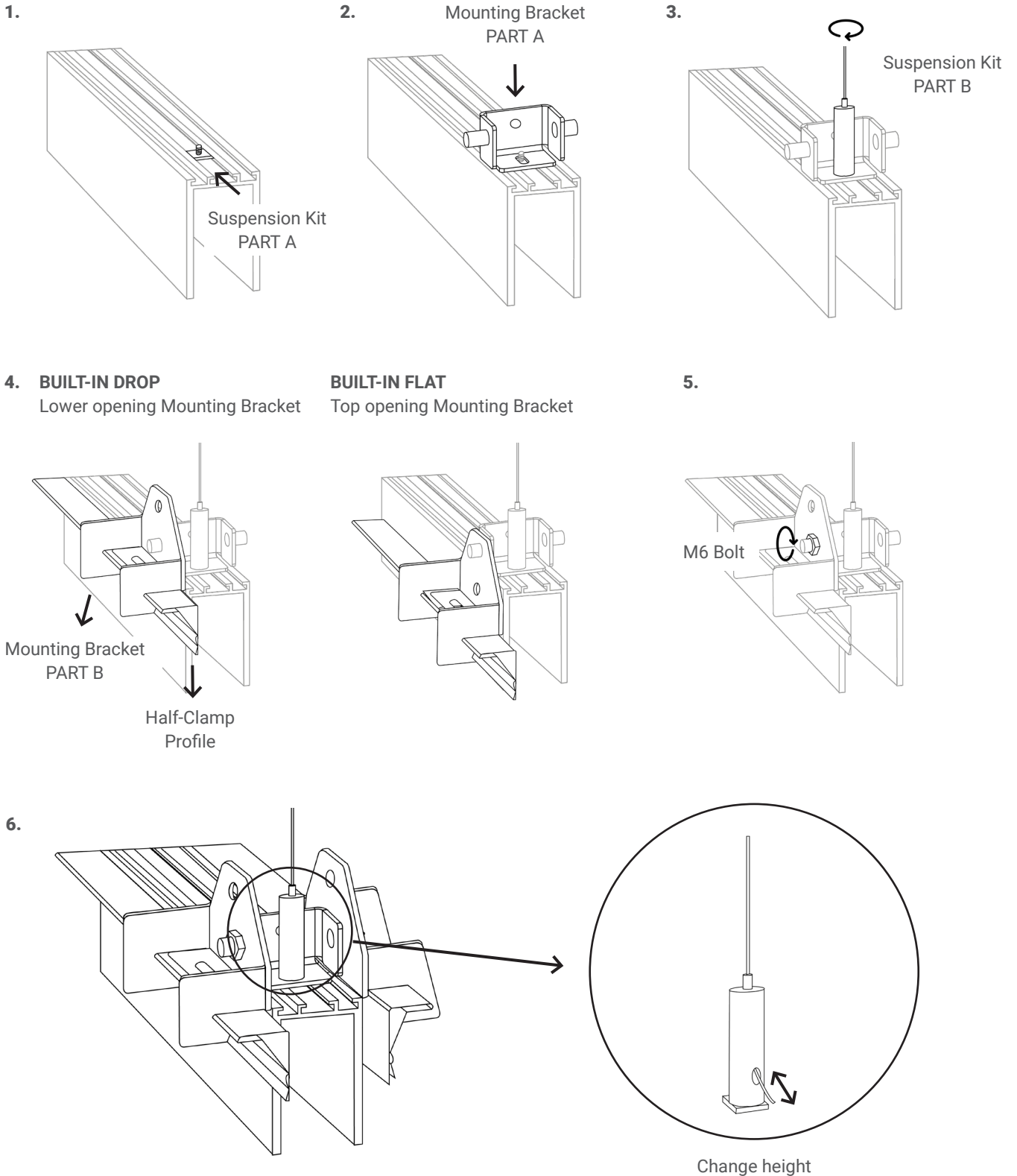
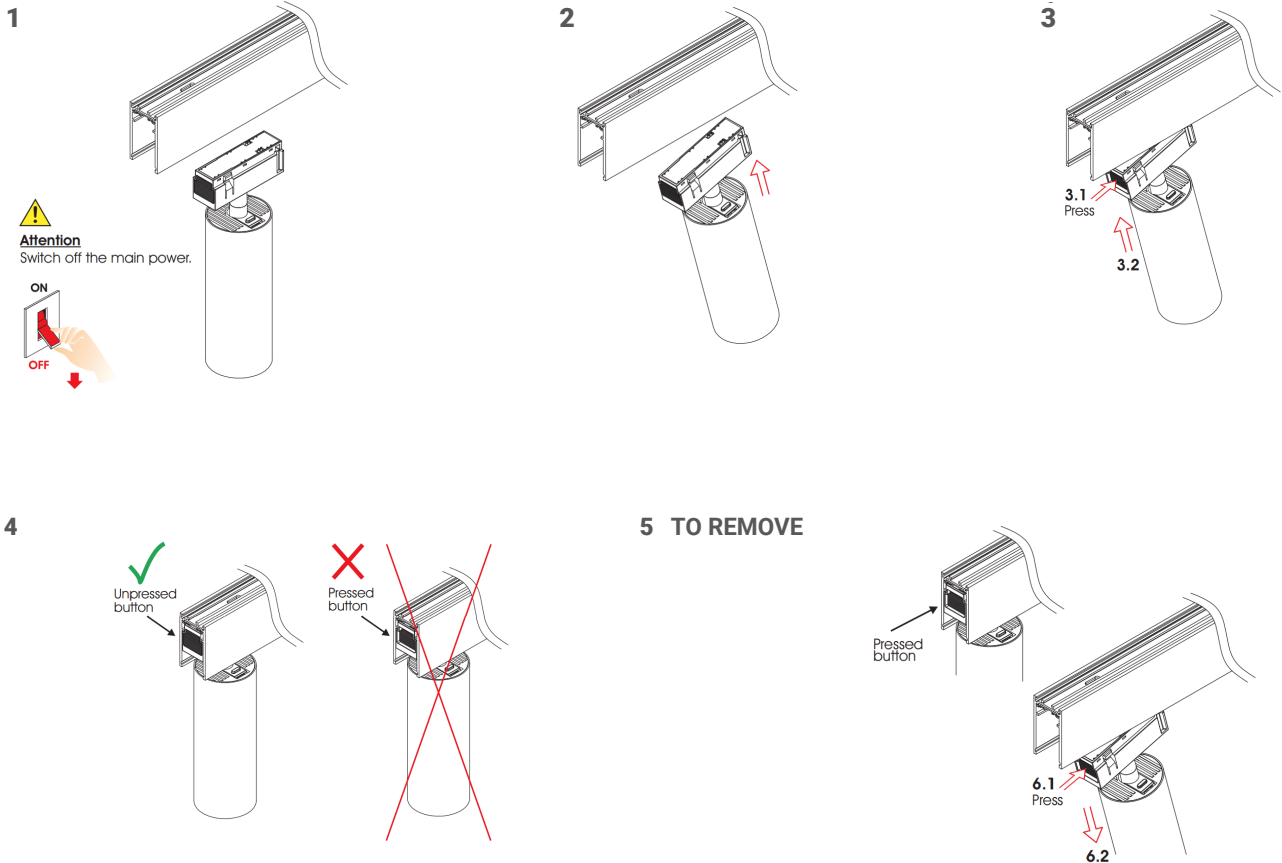


# 48V TRACK

## Suspension manual CLIP-IN

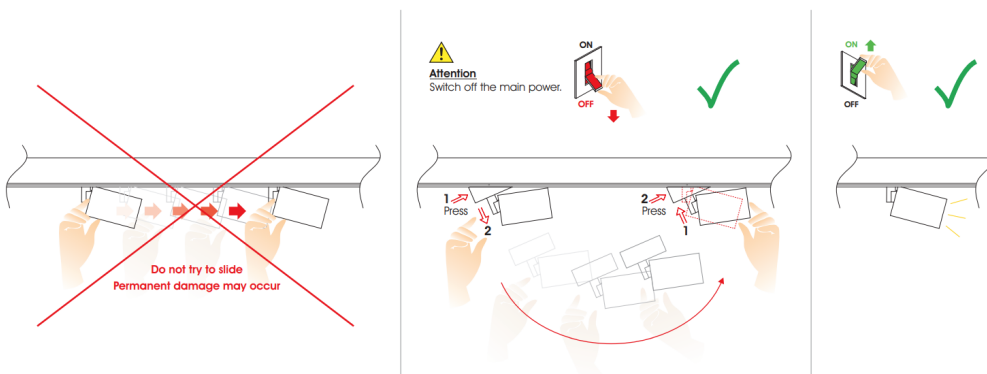


Stoal (Nardo bv) is not responsible for any damage or injury caused by incorrect or improper use of the equipment.  
Stoal (Nardo bv) reserves the right to change or alter any information contained in this manual without prior notice.



### Warning

Do not move the LED luminaire along the Track for any reason, regardless of whether the power is ON or OFF. To adjust the fixture position, first remove the fixture from the Track and then move it to the new position on the Track. Failure to comply with the above may result in permanent damage to the fixture.



Stoal (Nardo bv) is not responsible for any damage or injury caused by incorrect or improper use of the equipment.  
Stoal (Nardo bv) reserves the right to change or alter any information contained in this manual without prior notice.