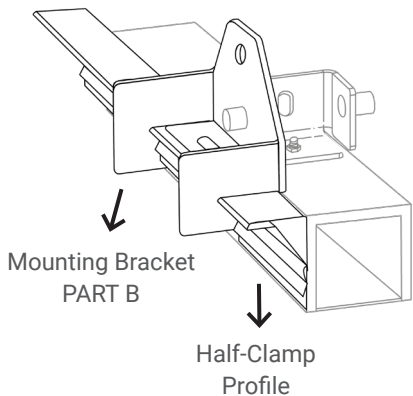


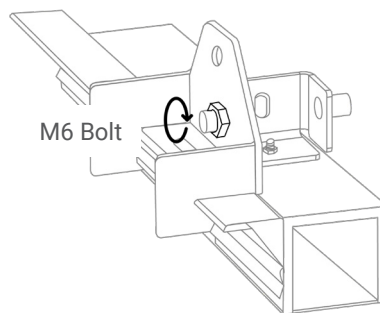
Slimline 30

Suspension Manual CLIP-IN

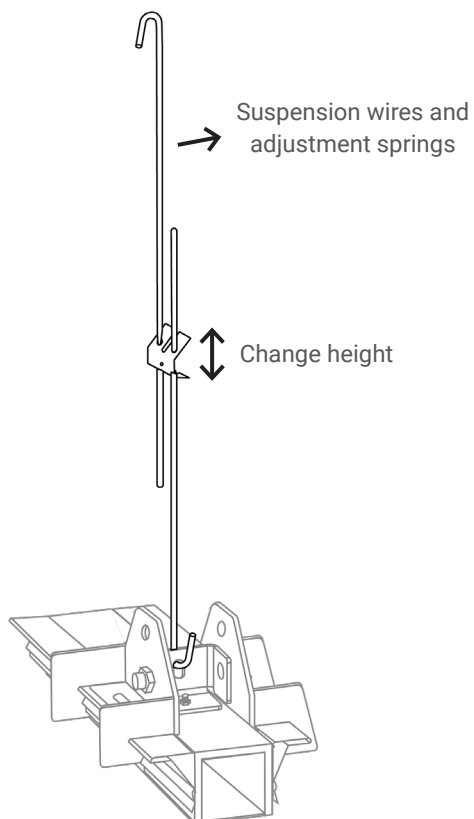
1.



2.



3.



(TIP: fold up the hooks of the suspension wires sufficiently so that they cannot be pulled loose)

Stoal (Nardo bv) is not responsible for any damage or injury caused by incorrect or improper use of the equipment. Stoal (Nardo bv) reserves the right to change or alter any information contained in this manual without prior notice.